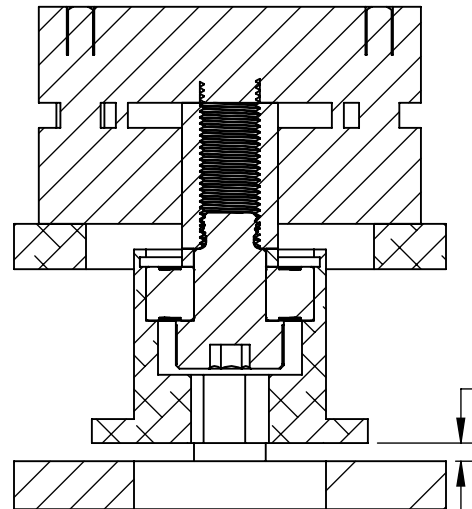
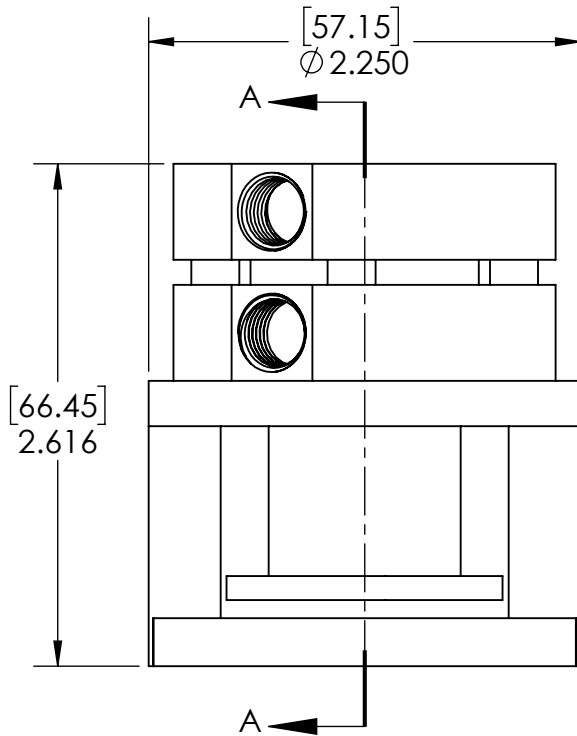
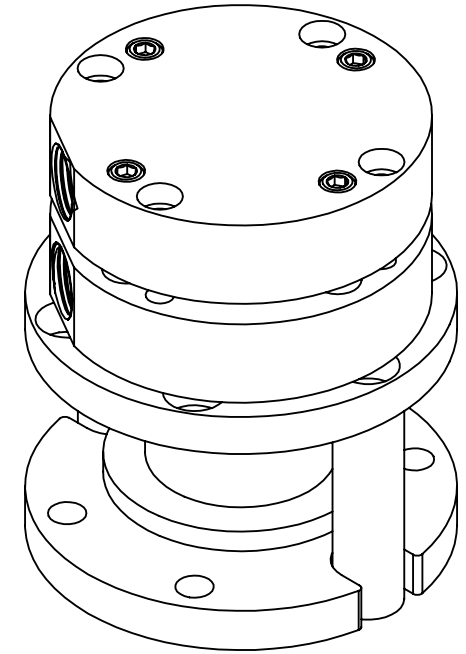


Note:

(1) Piston has 1/4" stroke length

(2) Cannot be mounted over bearing with a flange greater than 1" OD

(3) WCP-0200-003 is compatible with 1/2" hex and WCP-0200-004 is compatible with 3/8" hex



SECTION A-A

Recommended Gap:

[2.38]
.094



Description		Friction Brake (.375 & .500 Hex)	
Dwg No		WCP-0200 Rev1	
Project		FIRST Robotics - FRC	Sheet 1 of 1
Release	12/20/2019	ALL DIMENSIONS ARE IN INCHES [MM].	

WWW.WCPRODUCTS.COM