

Stage	20 DP
1	70T
2	76T

Note:

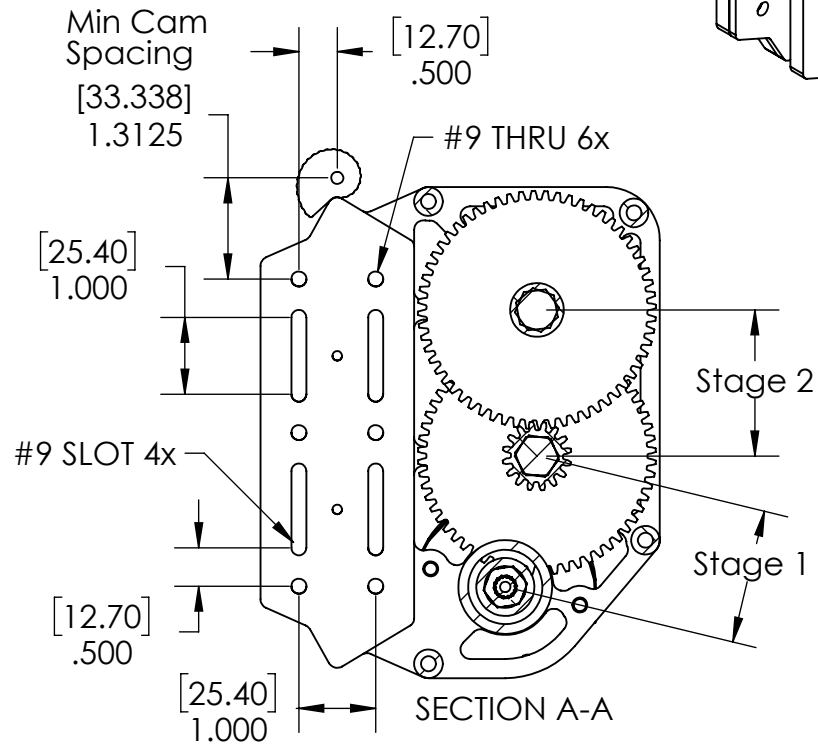
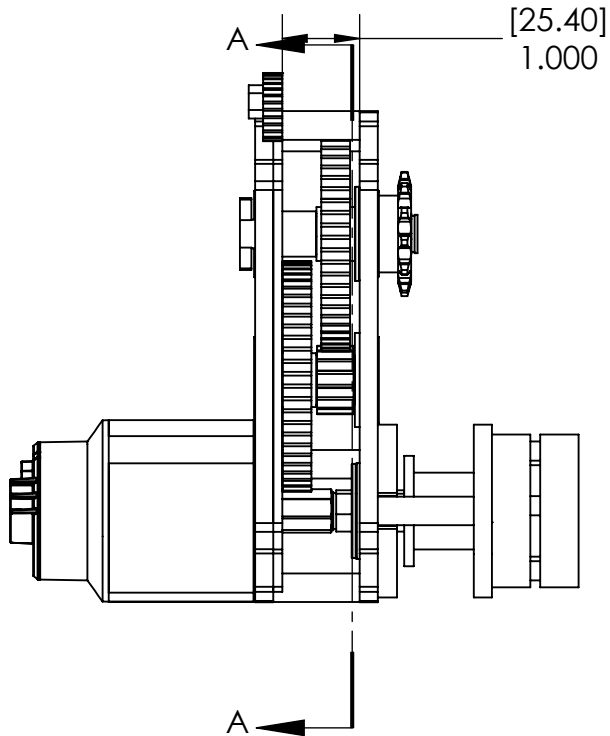
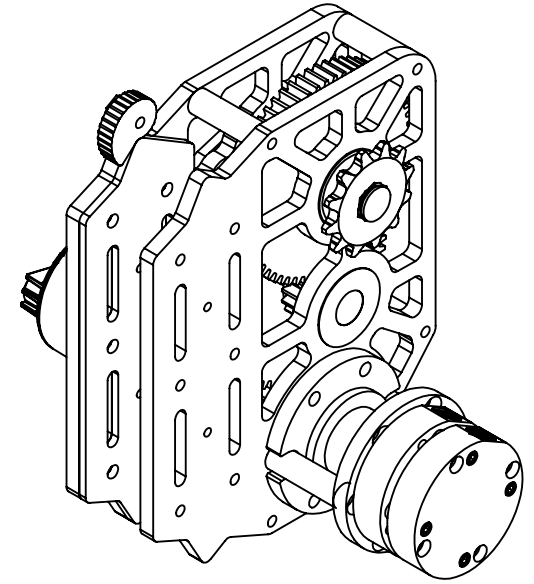
(1) Brake is optional

(2) WCP-0225-003 Rev1 is not needed if using Versaplanetary at the input

(3) Gear teeth calculated by adding the tooth count for both gears together
[Ex: 60 + 16 = 76]

(4) Gears not included in BOM

(5) Clamps around the 1" side of 2x1 tube



Description		Rotation SS Gearbox (2 Stages)	
Dwg No		WCP-0225 Rev1	
Project		FIRST Robotics - FRC	Sheet 1 of 1
Release	12/20/2019	ALL DIMENSIONS ARE IN INCHES [MM].	