

Stage	20 DP
1	48T

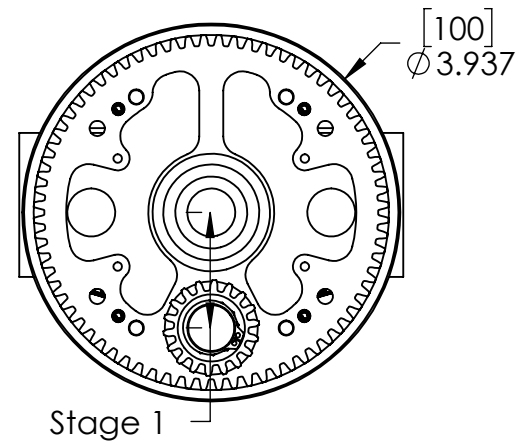
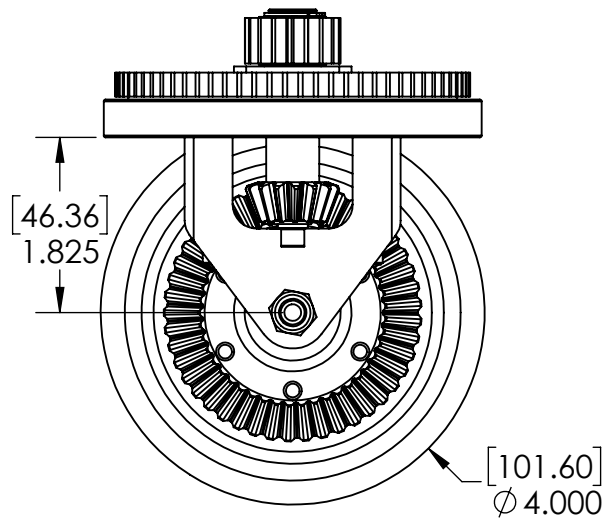
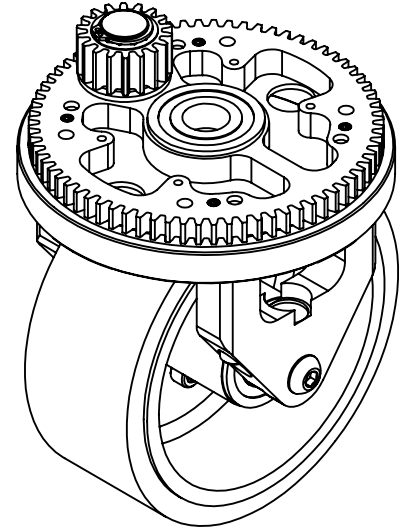
Note:

(1) Gear teeth calculated by adding the tooth count for both gears together
[Ex: 24 + 24 = 48]

(2) The bevel stage cannot be changed

(2) Gears not included in BOM

(3) This drawing only includes the drive ratios of the module



Description	WCP SS Wheel Module	
Dwg No	WCP-0169 Rev1 - WCP SS Wheel Module	
Project	FIRST Robotics - FRC	Sheet 1 of 1
Release	12/20/2019	ALL DIMENSIONS ARE IN INCHES [MM].