

Description	WCP SS Swerve (BLDC)	
Dwg No	WCP-169 Rev1 - SS Swerve (BLDC)	
Project	FIRST Robotics - FRC	Sheet 1 of 1
Release	12/20/2019	ALL DIMENSIONS ARE IN INCHES [MM].

WWW.WCPRODUCTS.COM

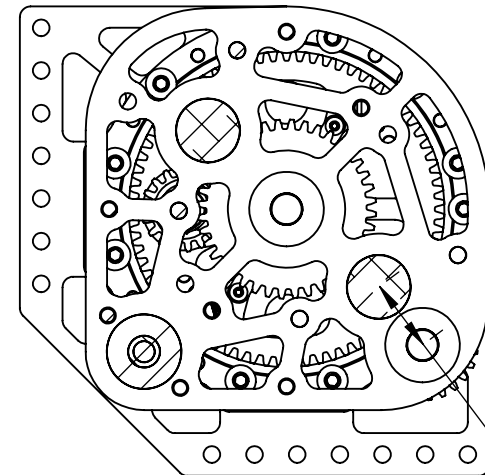
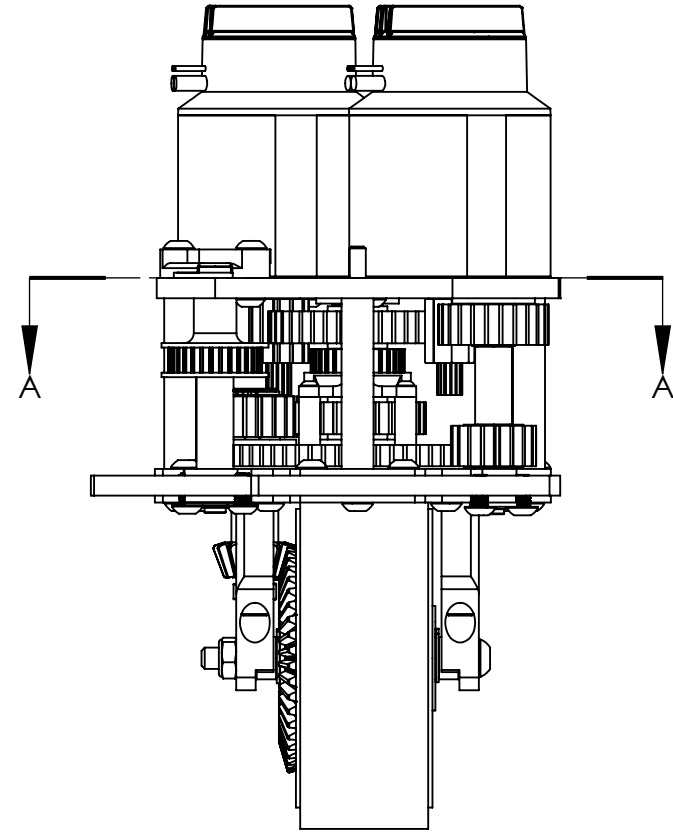
Stage	20 DP
1	34T

Note:

(1) Gear teeth calculated by adding the tooth count for both gears together
[Ex: 24 + 10 = 34]

(2) The final stage cannot be changed

(3) This drawing only includes the rotation ratios of the module



SECTION A-A



Description	WCP SS Swerve (BLDC)	
Dwg No	Web-WCP-0169 Rev1 - SS Swerve (BLDC)	
Project	FIRST Robotics - FRC	Sheet 1 of 1
Release	12/20/2019	ALL DIMENSIONS ARE IN INCHES [MM].