

Description	WCP SS Swerve	
Dwg No	WCP-0048 Rev3	
Project	FIRST Robotics - FRC	Sheet 1 of 1
Release	12/21/2019	ALL DIMENSIONS ARE IN INCHES [MM].

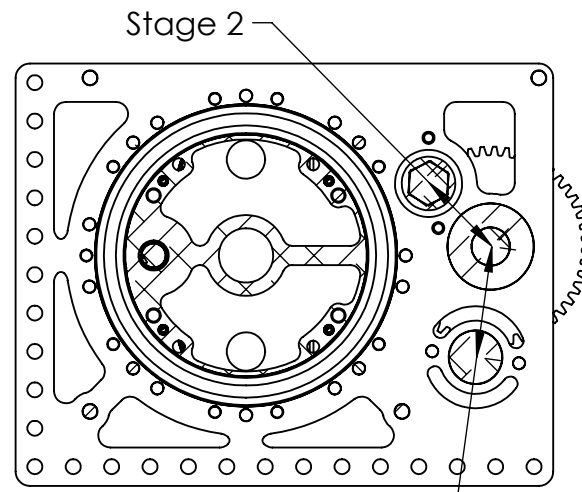
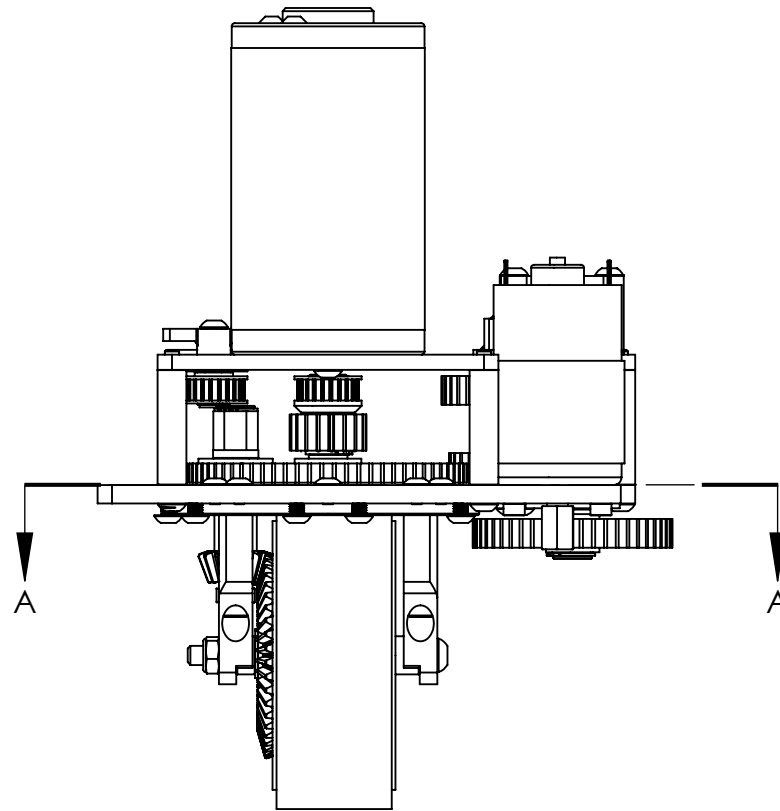
Stage	20 DP
1	60T
2	46T

Note:

(1) Gear teeth calculated by adding the tooth count for both gears together
[Ex: 50 + 10 = 60]

(2) The final stage cannot be changed

(3) This drawing only includes the rotation ratios of the module



SECTION A-A Stage 1



Description		WCP SS Swerve	
Dwg No		WCP-0048 Rev3	
Project		FIRST Robotics - FRC	Sheet 1 of 1
Release	12/21/2019	ALL DIMENSIONS ARE IN INCHES [MM].	