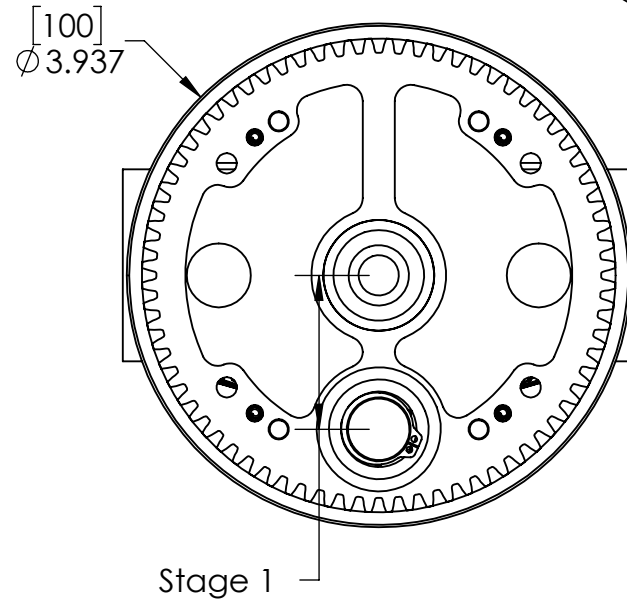
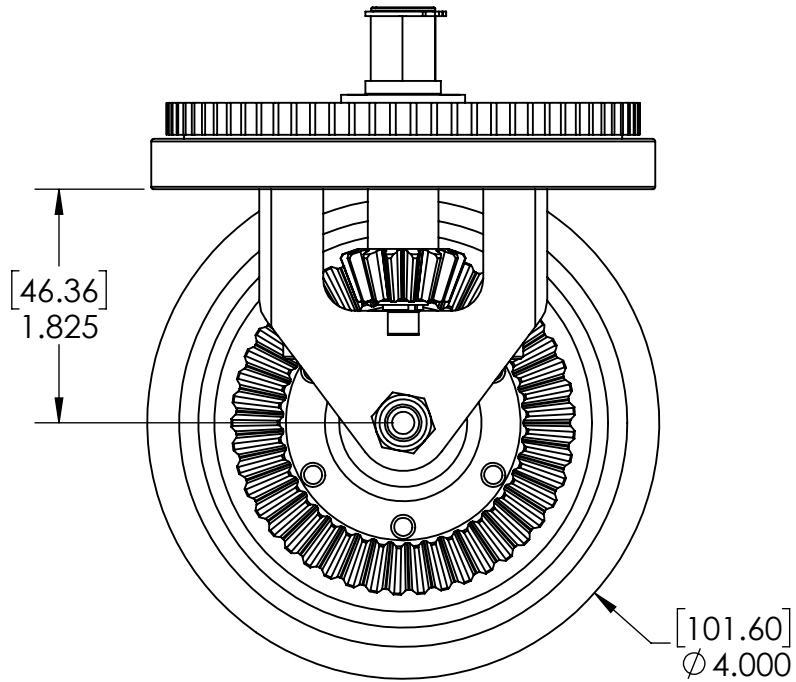
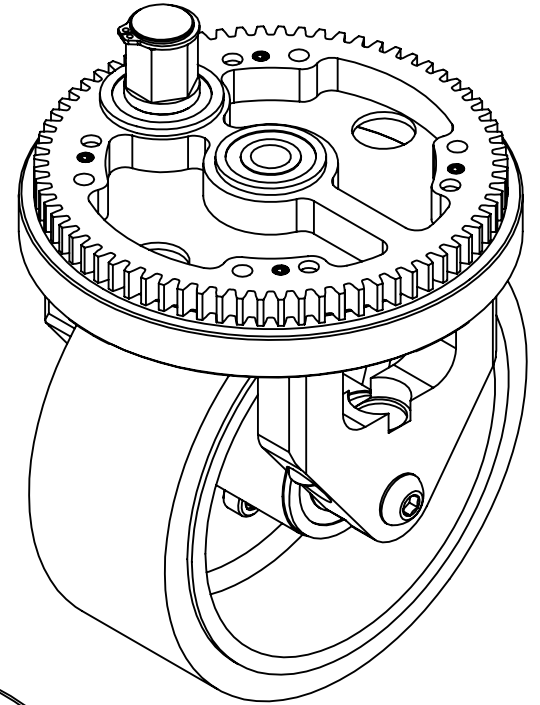


Stage	20 DP
1	48T

- Note:
- (1) Gear teeth calculated by adding the tooth count for both gears together [Ex: 24 + 24 = 48]
 - (2) The bevel stage cannot be changed
 - (3) This drawing only includes the drive ratios of the module



Description		WCP SS Swerve Wheel Module	
Dwg No		WCP-0033 Rev3	
Project		FIRST Robotics - FRC	Sheet 1 of 1
Release		12/20/2019	ALL DIMENSIONS ARE IN INCHES [MM].