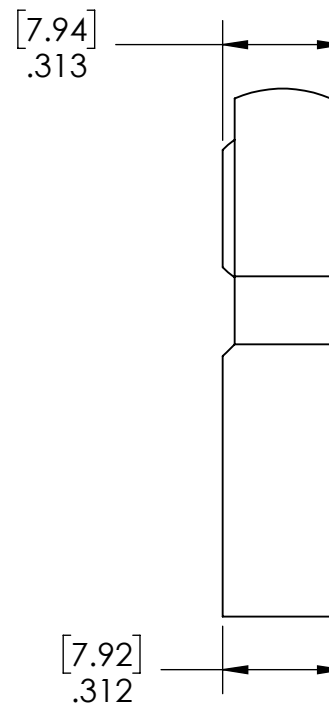
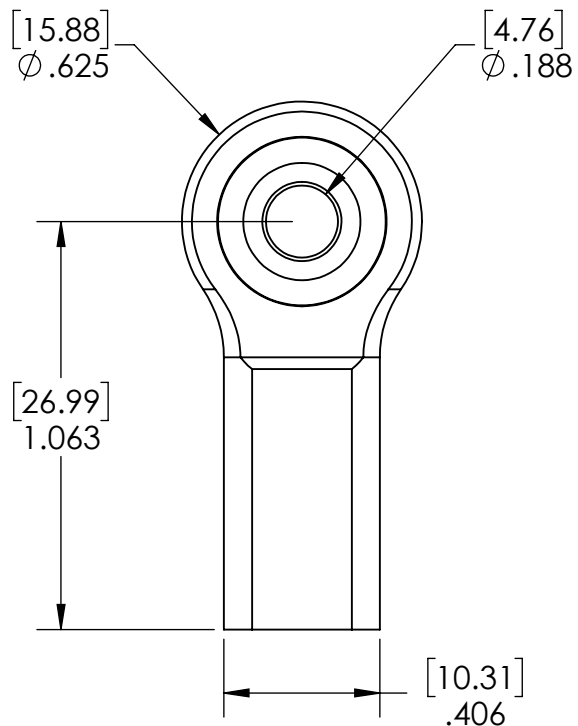
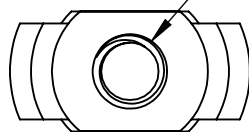


#10-32 Tapped Hole
Minimum depth 1/2"



Description	Female Rod End - #10-32	
Dwg No	WCP-0019 Rev1	
Project	FIRST Robotics - FRC	Sheet 1 of 1
Release	12/23/2019	ALL DIMENSIONS ARE IN INCHES [MM].