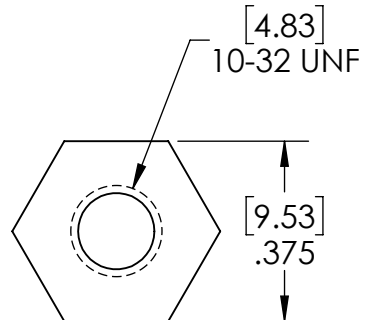
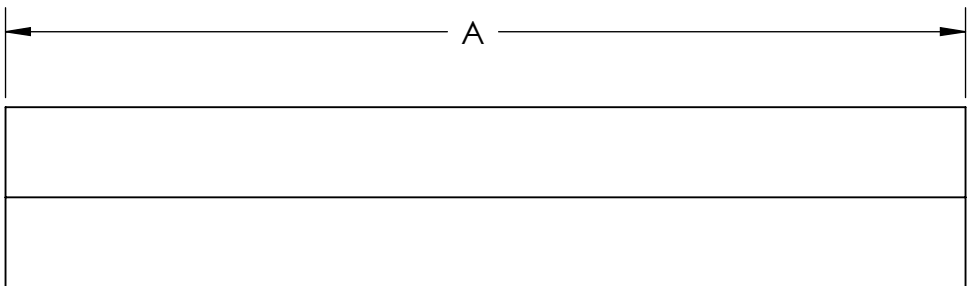
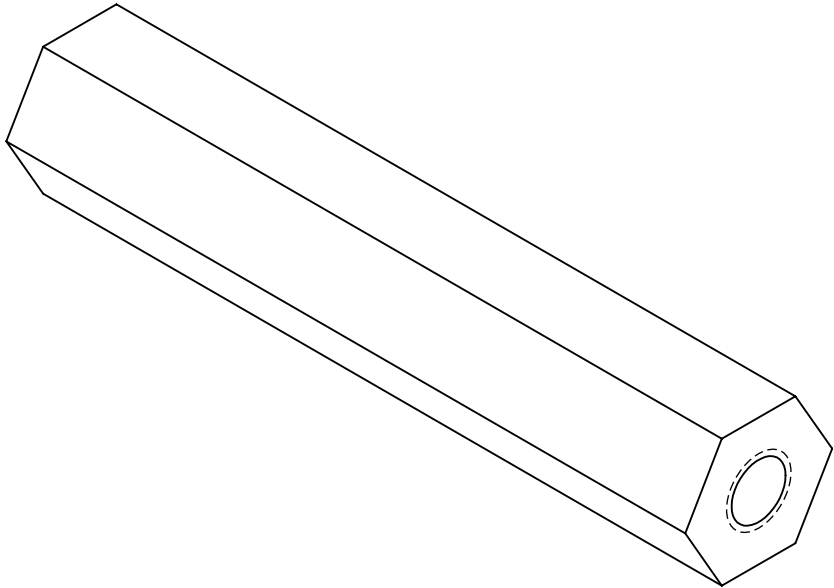


|               |       |          |
|---------------|-------|----------|
| Part #        | A     | Material |
| WCP-0230 Rev1 | 2.000 | Aluminum |

Note:  
 (1) 3/4" minimum thread depth on either end



|             |                                 |   |
|-------------|---------------------------------|---|
| Description | Aluminum Threaded Hex Standoffs |   |
| Dwg No      | Spacers Threaded                |   |
| Project     | FIRST Robotics - FRC            | Sheet 1 of 1                              |
| Release     | 12/21/2019                      | <b>ALL DIMENSIONS ARE IN INCHES [MM].</b> |