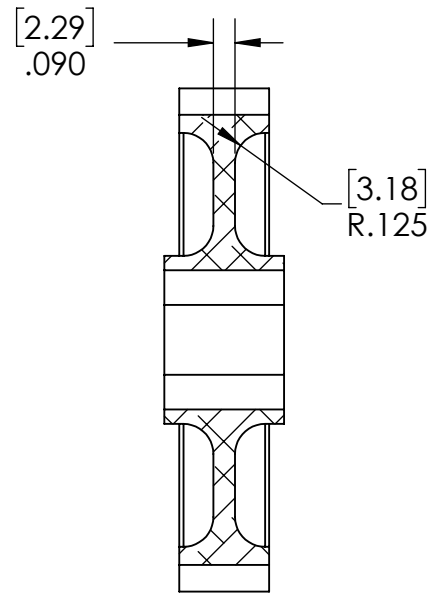
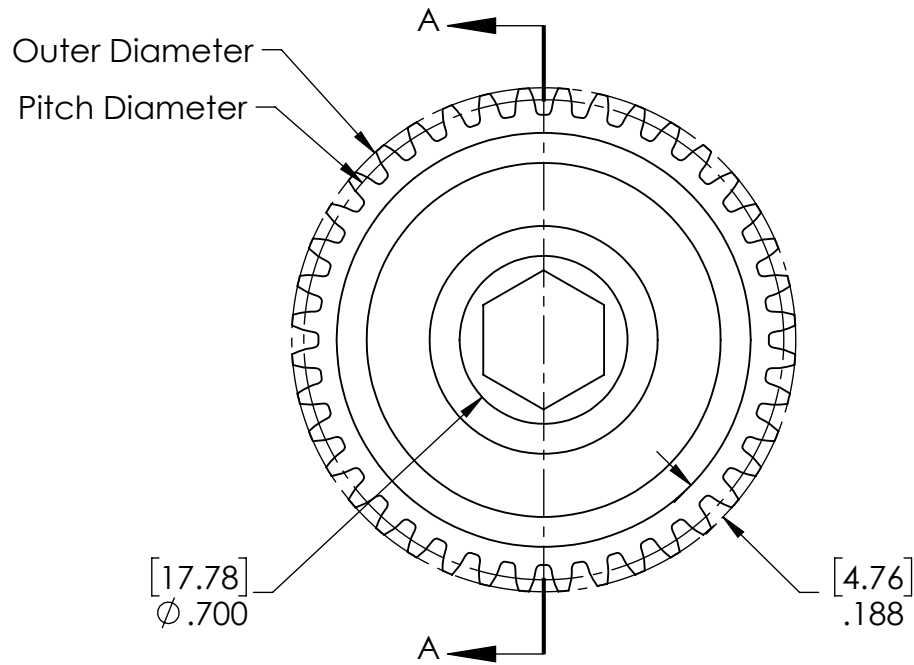
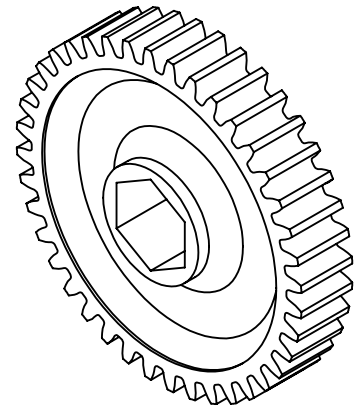


Part #	Tooth Count	Pitch Diameter (ref)	Outer Diameter	Material
WCP-0116 Rev1	40	2.000	2.100	7075-T6 Aluminum
WCP-0117 Rev1	42	2.100	2.200	7075-T6 Aluminum
WCP-0118 Rev1	44	2.200	2.300	7075-T6 Aluminum
WCP-0136 Rev1	46	2.300	2.400	7075-T6 Aluminum
WCP-0137 Rev1	48	2.400	2.500	7075-T6 Aluminum
WCP-0119 Rev1	50	2.500	2.600	7075-T6 Aluminum
WCP-0138 Rev1	52	2.600	2.700	7075-T6 Aluminum
WCP-0120 Rev1	54	2.700	2.800	7075-T6 Aluminum
WCP-0139 Rev1	56	2.800	2.900	7075-T6 Aluminum
WCP-0140 Rev1	58	2.900	3.000	7075-T6 Aluminum
WCP-0121 Rev1	60	3.000	3.100	7075-T6 Aluminum
WCP-0141 Rev1	62	3.100	3.200	7075-T6 Aluminum

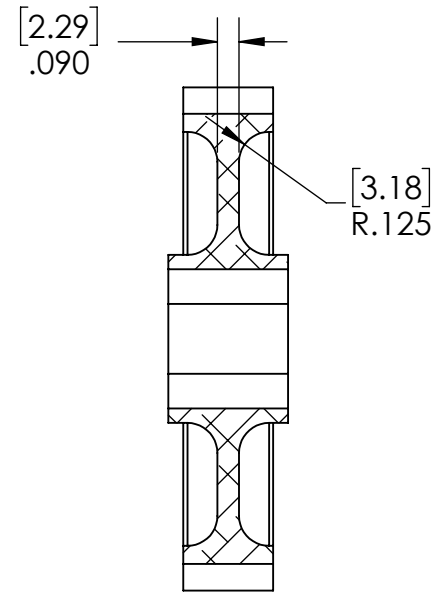
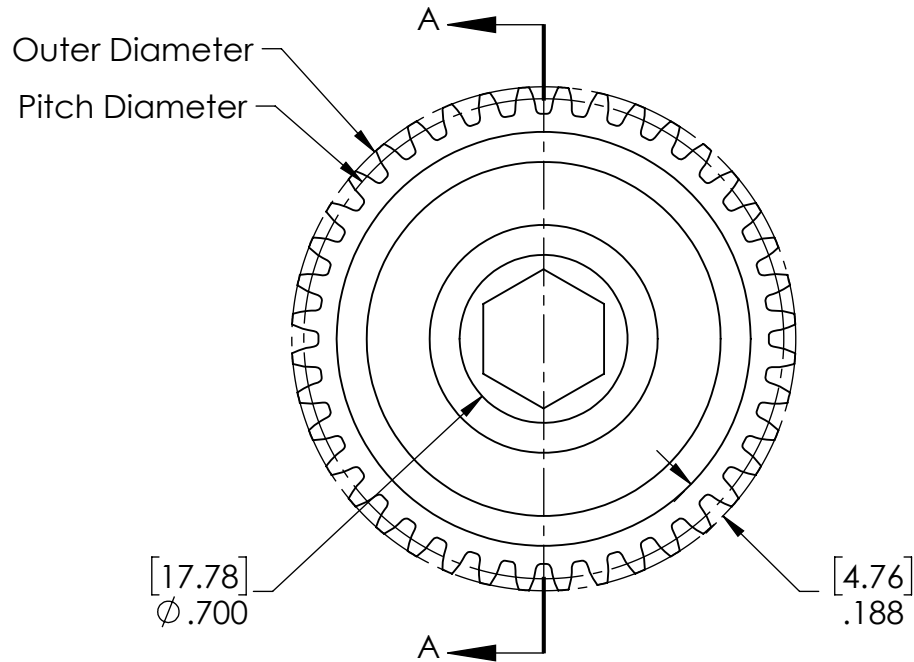
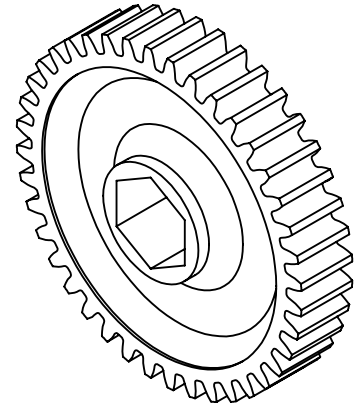


SECTION A-A  
SCALE 1.25 : 1



Description		WCP Pocketed Gears	
Dwg No		Pocketed Gears	
Project		FIRST Robotics - FRC	Sheet 1 of 1
Release		12/21/2019	<b>ALL DIMENSIONS ARE IN INCHES [MM].</b>

Part #	Tooth Count	Pitch Diameter (ref)	Outer Diameter	Material
WCP-0122 Rev1	64	3.200	3.300	7075-T6 Aluminum
WCP-0142 Rev1	66	3.300	3.400	7075-T6 Aluminum
WCP-0143 Rev1	68	3.400	3.500	7075-T6 Aluminum
WCP-0144 Rev1	70	3.500	3.600	7075-T6 Aluminum
WCP-0123 Rev1	72	3.600	3.700	7075-T6 Aluminum
WCP-0145 Rev1	74	3.700	3.800	7075-T6 Aluminum
WCP-0146 Rev1	76	3.800	3.900	7075-T6 Aluminum
WCP-0147 Rev1	78	3.900	4.000	7075-T6 Aluminum
WCP-0148 Rev1	80	4.000	4.100	7075-T6 Aluminum
WCP-0149 Rev1	82	4.100	4.200	7075-T6 Aluminum
WCP-0124 Rev1	84	4.200	4.300	7075-T6 Aluminum

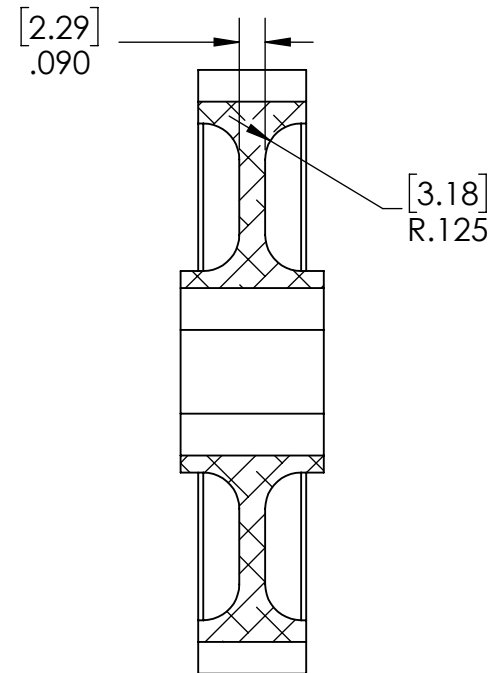
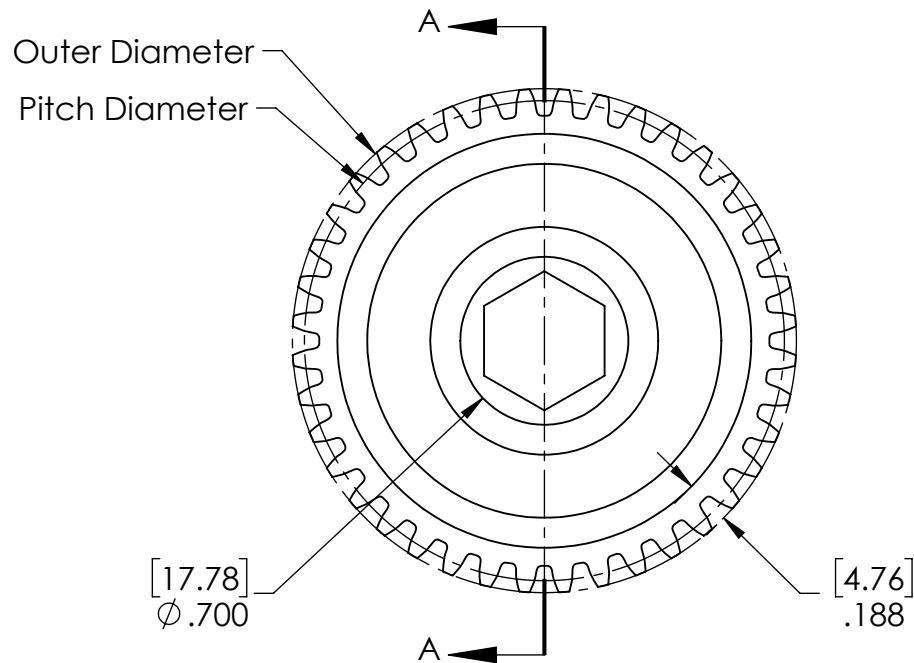
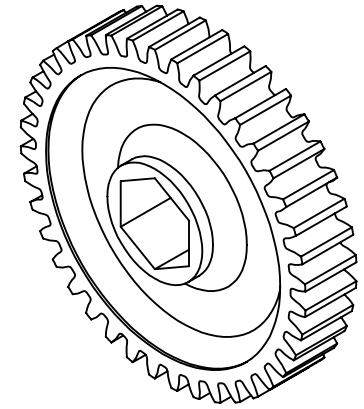


SECTION A-A



Description		WCP Pocketed Gears	
Dwg No		Pocketed Gears	
Project		FIRST Robotics - FRC	Sheet 1 of 1
Release		12/21/2019	<b>ALL DIMENSIONS ARE IN INCHES [MM].</b>

Part #	Tooth Count	Pitch Diameter (ref)	Outer Diameter	Material
WCP-0177 Rev1	40	2.000	2.100	4140 Steel
WCP-0178 Rev1	42	2.100	2.200	4140 Steel
WCP-0179 Rev1	44	2.200	2.300	4140 Steel
WCP-0180 Rev1	46	2.300	2.400	4140 Steel
WCP-0181 Rev1	48	2.400	2.500	4140 Steel
WCP-0182 Rev1	50	2.500	2.600	4140 Steel
WCP-0183 Rev1	52	2.600	2.700	4140 Steel
WCP-0184 Rev1	54	2.700	2.800	4140 Steel
WCP-0185 Rev1	56	2.800	2.900	4140 Steel
WCP-0186 Rev1	58	2.900	3.000	4140 Steel
WCP-0187 Rev1	60	3.000	3.100	4140 Steel



SECTION A-A



Description	WCP Pocketed Gears		
Dwg No	Pocketed Gears		
Project	FIRST Robotics - FRC	Sheet 1 of 1	
Release	12/21/2019	<b>ALL DIMENSIONS ARE IN INCHES [MM].</b>	