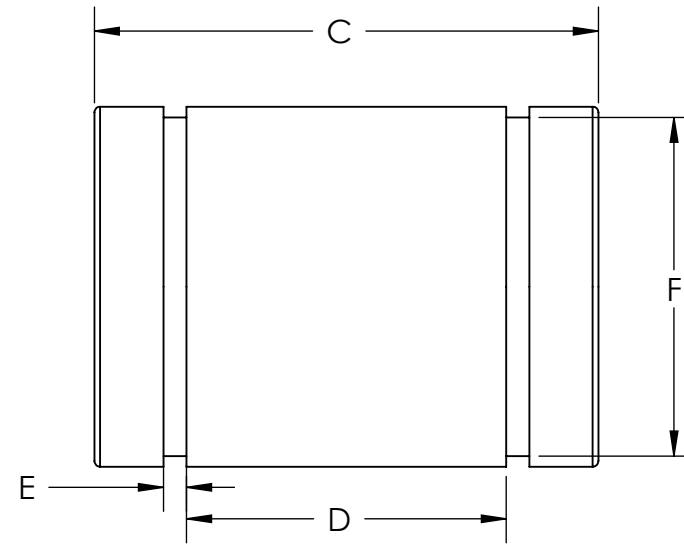
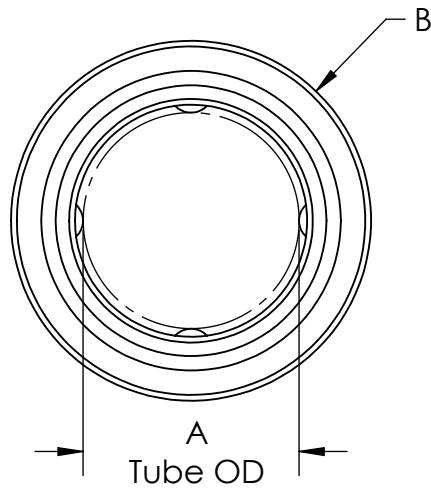
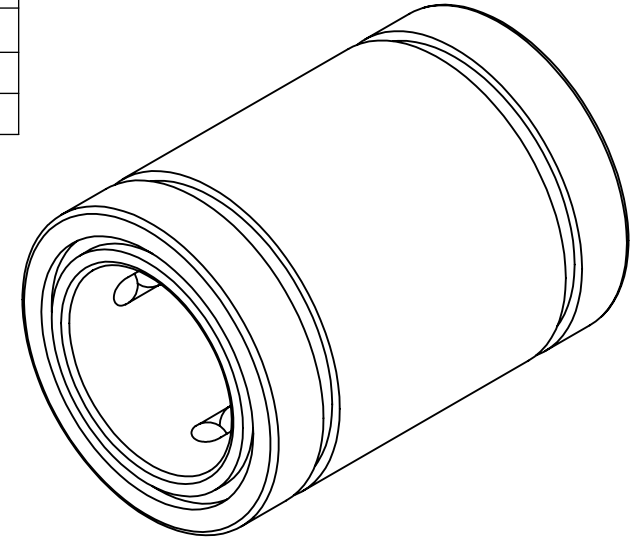


Part #	A	B	C	D	E	F
WCP-0244 Rev1	0.375	0.625	0.875	0.555	0.040	0.588
WCP-0245 Rev1	0.500	0.875	1.125	0.745	0.046	.838
WCP-0246 Rev1	1.000	1.563	2.250	1.618	0.068	1.469



Description	WCP Linear Bearings	
Dwg No	Linear Bearings	
Project	FIRST Robotics - FRC	Sheet 1 of 1
Release	12/20/2019	ALL DIMENSIONS ARE IN INCHES [MM].

WWW.WCPRODUCTS.COM