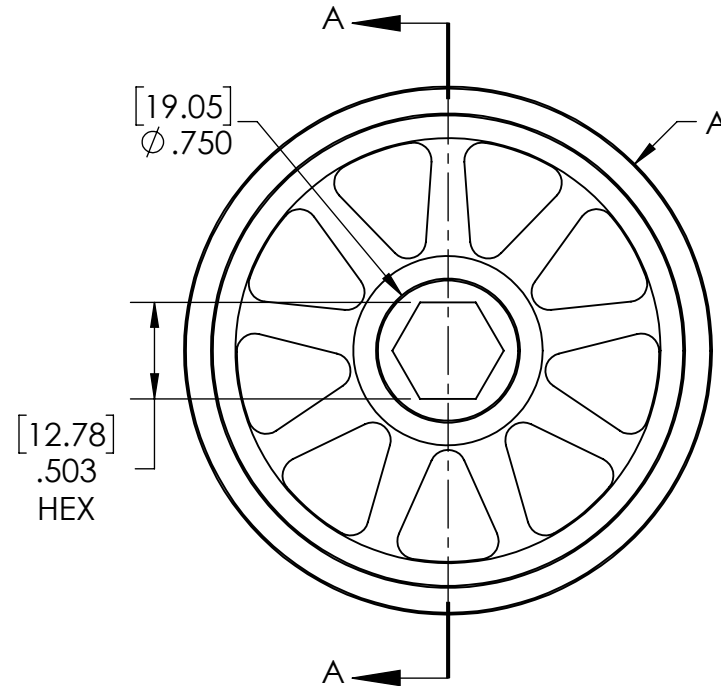
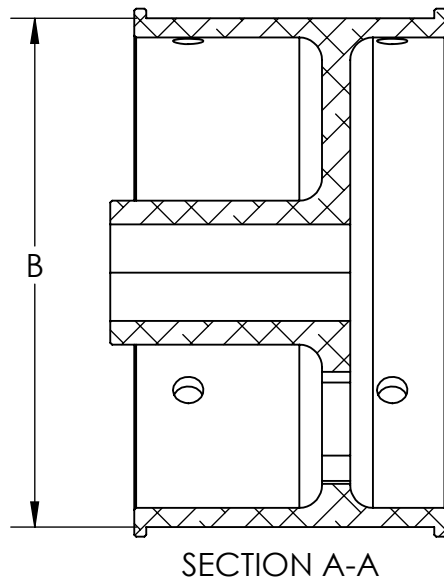
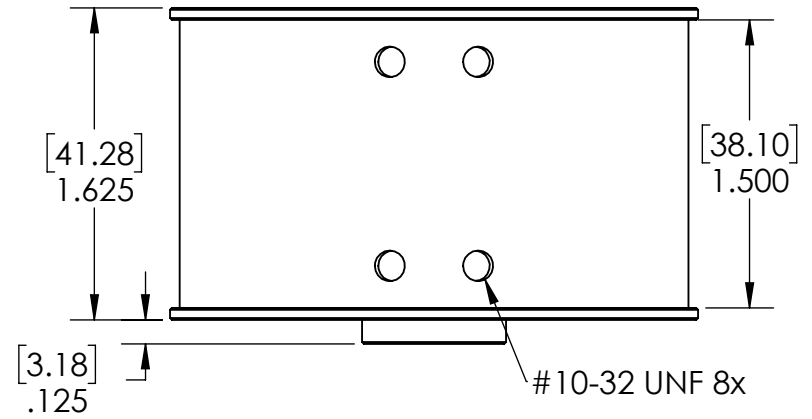


Part #	A	B	Material
WCP-0074 Rev1	2.750	2.650	6061-T6 Aluminum
WCP-0075 Rev2	3.500	3.400	6061-T6 Aluminum
WCP-0213 Rev1	5.500	5.400	6061-T6 Aluminum

Note:
 (1) #10-32 Button head bolts recommended for tread application, we do not recommend using rivets



Description	WCP Aluminum Wheels	
Dwg No	Aluminum Wheels	
Project	FIRST Robotics - FRC	Sheet 1 of 1
Release	12/20/2019	ALL DIMENSIONS ARE IN INCHES [MM].