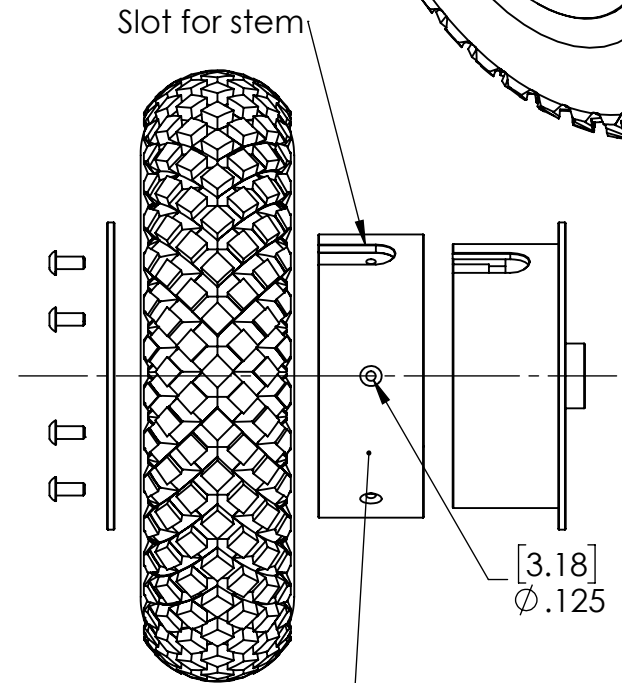
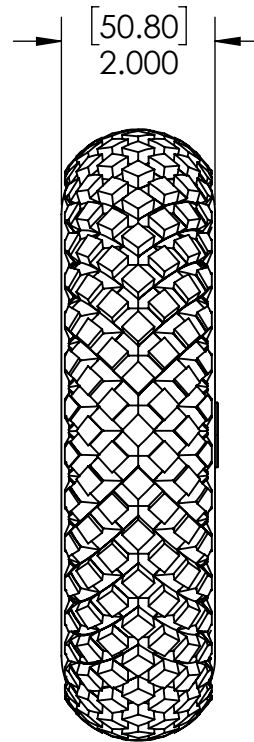
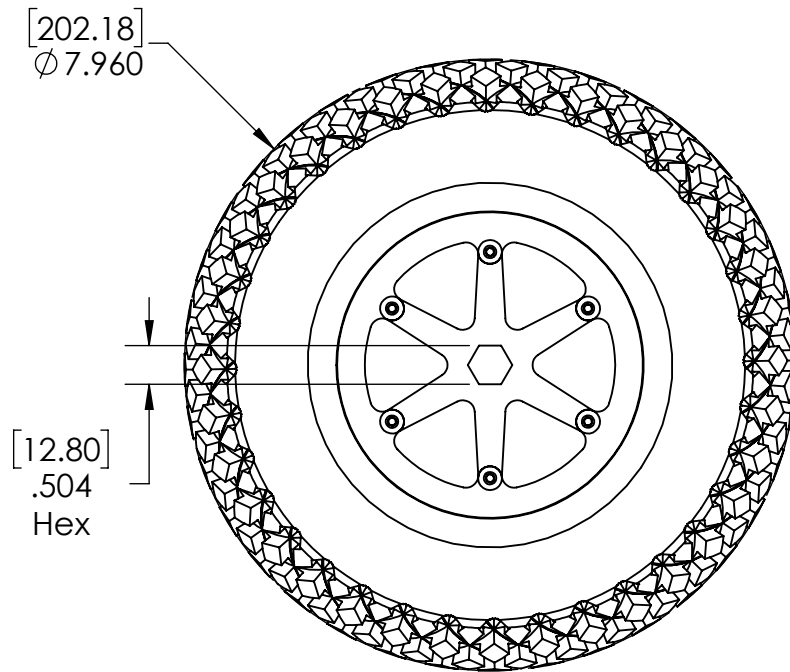


Note:
 (1) 8" tires require the Pneumatic Wheel Hub Adaptor
 WCP-0100 Rev2

(2) Dimensions are dependent on how much you fill the tire



- Steps for using WCP-0100 Rev2:
- (1) Line up slot for stem on the part and the hub
 - (2) Drill 0.125" holes on part through the hub
 - (3) Rivet using flush mounted rivets (mcmaster 97519A098)



Description		WCP 8 inch Pneumatic Wheel	
Dwg No		8 inch Pneumatic Wheel	
Project		FIRST Robotics - FRC	Sheet 1 of 1
Release	1/2/2020	ALL DIMENSIONS ARE IN INCHES [MM].	

WWW.WCPRODUCTS.COM