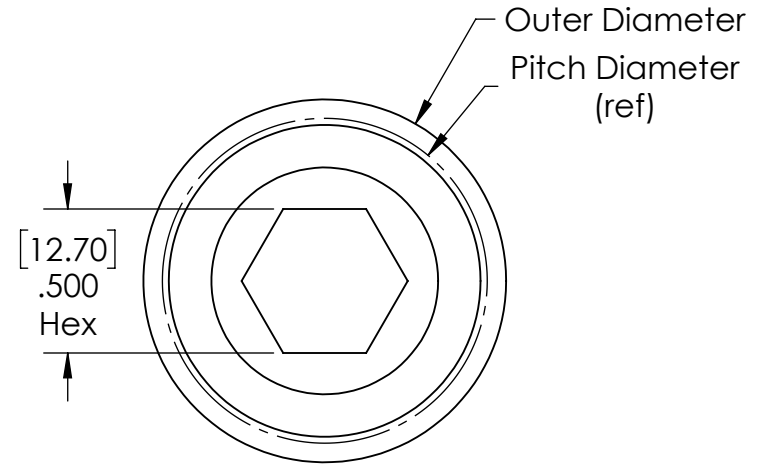
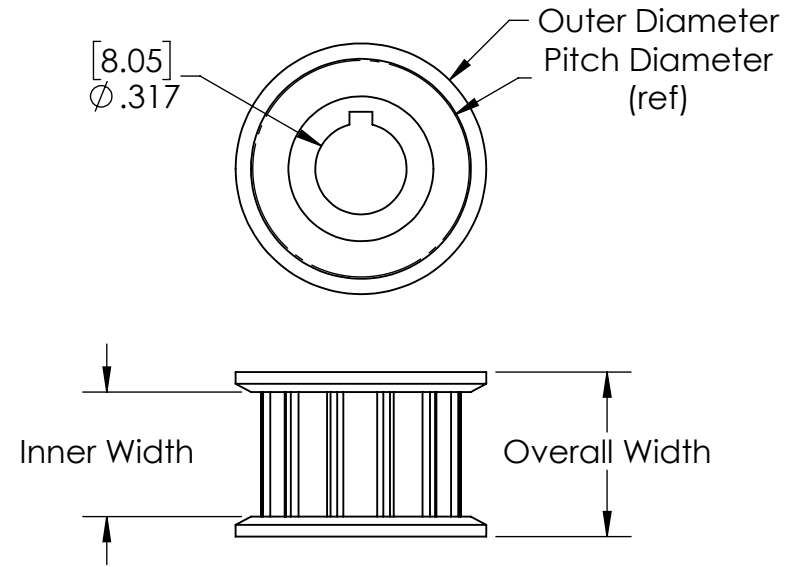


| Part # | Tooth Count | Pitch Diameter (ref) | Outer Diameter | Inner Width | Overall Width |
|---------------|-------------|----------------------|-----------------|------------------|------------------|
| WCP-0076 Rev1 | 12 | [19.10] 0.752 | [22.11] 0.87 | [11] 0.433 | [14.50] 0.571 |
| WCP-0077 Rev1 | 12 | [19.10] 0.752 | [22.11] 0.87 | [18.50] 0.728 | [22] 0.866 |
| 217-3225 | 18 | [28.65] 1.128 | [32] 1.260 | [11] 0.433 | [14.50] 0.571 |
| 217-4100 | 18 | [28.65] 1.128 | [32] 1.260 | [18.50] 0.728 | [22] 0.866 |
| 217-3227 | 24 | [38.20] 1.504 | [42] 1.654 | [11] 0.433 | [14.50] 0.571 |
| 217-4101 | 24 | [38.20] 1.504 | [42] 1.654 | [18.50] 0.728 | [22] 0.866 |
| 217-3229 | 30 | [47.75] 1.880 | [51] 2.008 | [11] 0.433 | [14.50] 0.571 |
| 217-4102 | 30 | [47.75] 1.880 | [51] 2.008 | [18.50] 0.728 | [22] 0.866 |
| 217-3231 | 36 | [57.30] 2.256 | [60] 2.362 | [11] 0.433 | [14.50] 0.571 |
| 217-4103 | 36 | [57.30] 2.256 | [60] 2.362 | [18.50] 0.728 | [22] 0.866 |

Note:
(1) WCP-0076 Rev1 and WCP-0077 Rev1 have 8mm round bore with a 2mm keyway. All other pulleys are 1/2" hex bore



| | | | |
|-------------|--|------------------------|---|
| Description | | 5mm HTD Timing Pulleys | |
| Dwg No | | 5mm HTD Timing Pulleys | |
| Project | | FIRST Robotics - FRC | Sheet 1 of 1 |
| Release | | 12/27/2019 | ALL DIMENSIONS ARE IN INCHES [MM]. |

WWW.WCPRODUCTS.COM