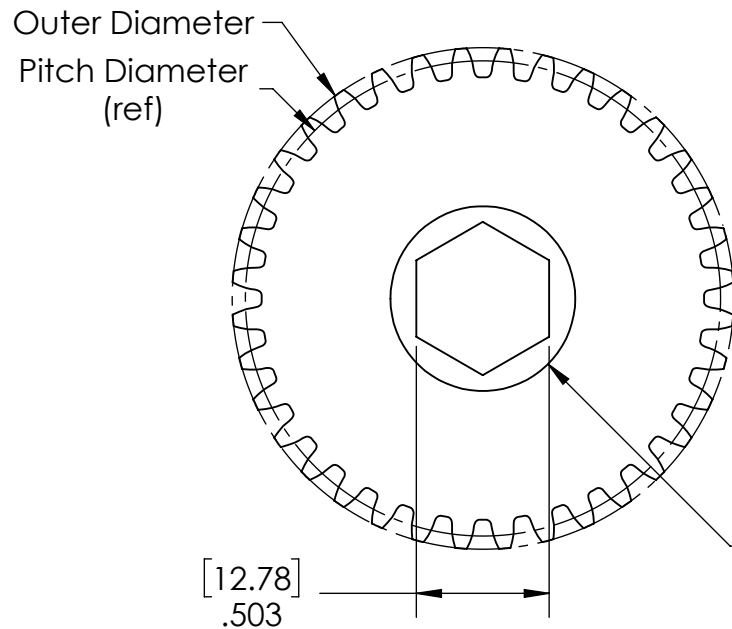
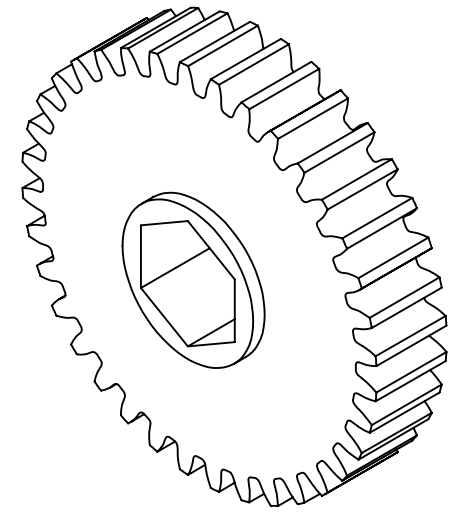
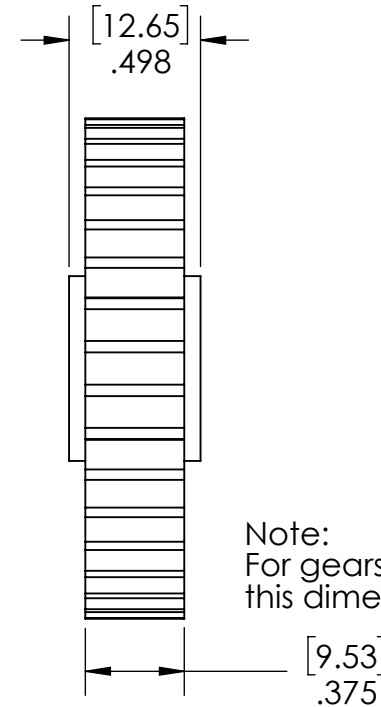


Part #	Tooth Count	Pitch Diameter (ref)	Outer Diameter	Material
WCP-0170 Rev1	16	0.800	0.900	4140 Steel
217-5460	18	0.900	1.000	4140 Steel
217-5461	20	1.000	1.100	4140 Steel
217-5463	22	1.100	1.200	4140 Steel
217-5464	24	1.200	1.300	4140 Steel
217-5466	26	1.300	1.400	4140 Steel
217-5468	28	1.400	1.500	4140 Steel
217-5469	30	1.500	1.600	4140 Steel
WCP-0173 Rev1	32	1.600	1.700	4140 Steel
WCP-0174 Rev1	34	1.700	1.800	4140 Steel
WCP-0175 Rev1	36	1.800	1.900	4140 Steel
WCP-0176 Rev1	38	1.900	2.000	4140 Steel



Note:  
For WCP-0170 Rev1,  
This dimension is 0.65



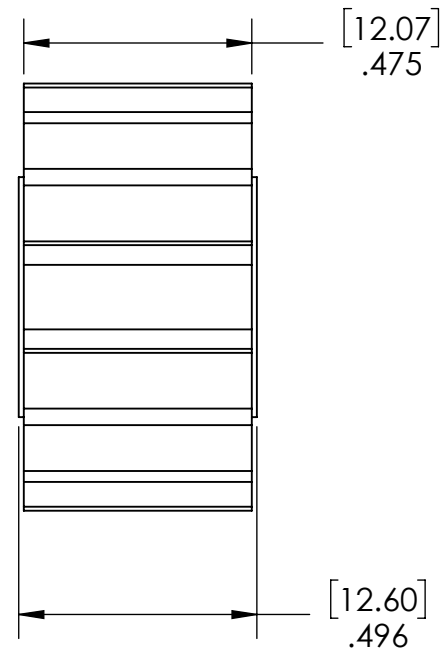
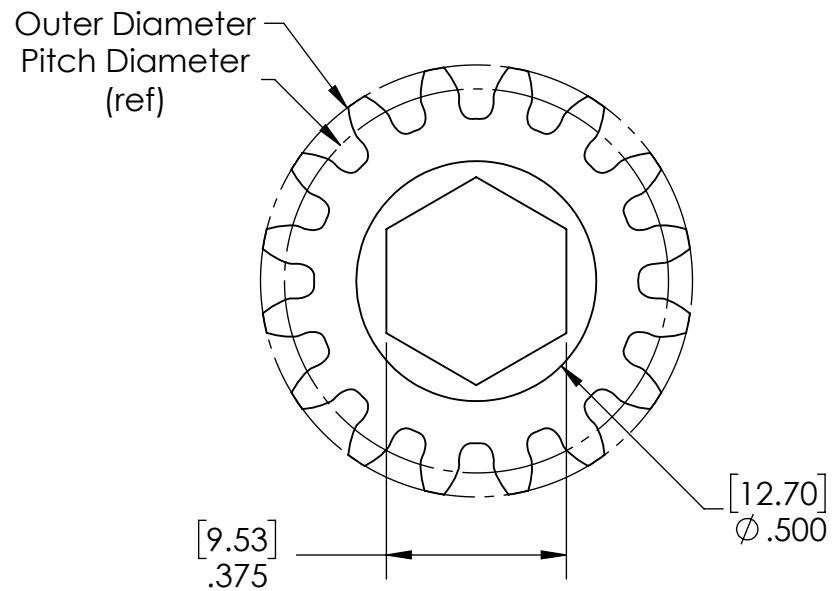
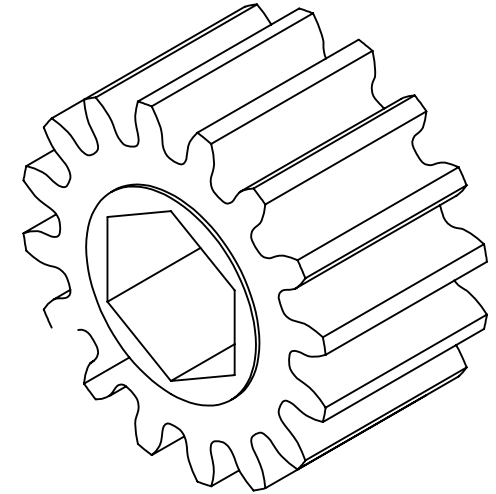
Note:  
For gears with less than 30T,  
this dimension is 0.475



Description	WCP 20DP 1/2" Hex Steel Gears		
Dwg No	20DP Steel Gears		
Project	FIRST Robotics - FRC	Sheet 1 of 1	
Release	12/27/2019	<b>ALL DIMENSIONS ARE IN INCHES [MM].</b>	

[WWW.WCPRODUCTS.COM](http://WWW.WCPRODUCTS.COM)

Part #	Tooth Count	Pitch Diameter (ref)	Outer Diameter	Material
217-3100	14	0.700	0.800	4140 Steel
217-5451	16	0.800	0.900	4140 Steel



Description		WCP 20DP 3/8" Hex Steel Gears	
Dwg No		20DP Steel Gears	
Project		FIRST Robotics - FRC	Sheet 1 of 1
Release		12/27/2019	<b>ALL DIMENSIONS ARE IN INCHES [MM].</b>

[WWW.WCPRODUCTS.COM](http://WWW.WCPRODUCTS.COM)