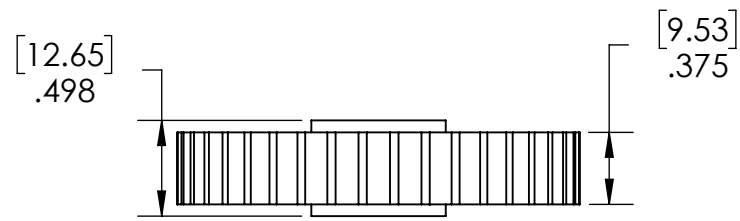
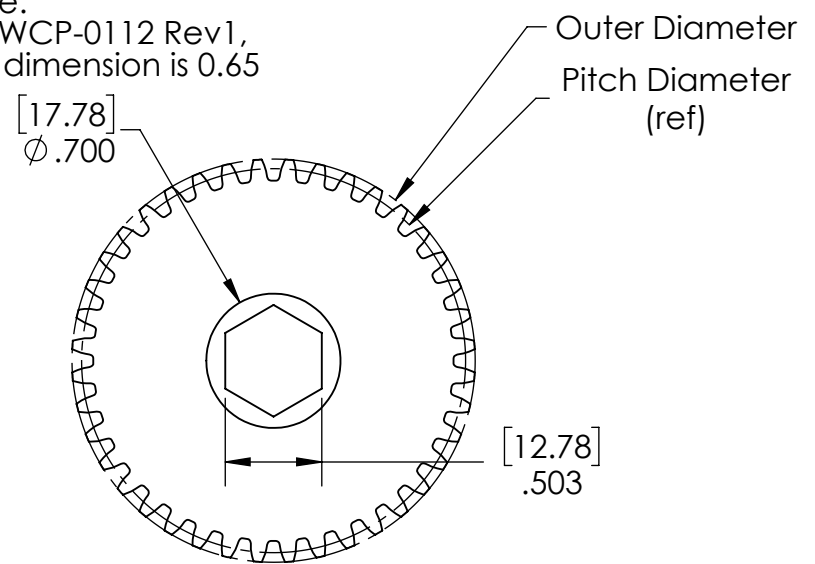


Part #	Tooth Count	Pitch Diameter (ref)	Outer Diameter	Material
WCP-0112 Rev1	16	0.800	0.900	7075-T6 Aluminum
217-3209	18	0.900	1.000	7075-T6 Aluminum
217-2702	20	1.000	1.100	7075-T6 Aluminum
217-5462	22	1.100	1.200	7075-T6 Aluminum
217-2704	24	1.200	1.300	7075-T6 Aluminum
217-5465	26	1.300	1.400	7075-T6 Aluminum
217-5467	28	1.400	1.500	7075-T6 Aluminum
217-2705	30	1.500	1.600	7075-T6 Aluminum
217-5470	32	1.600	1.700	7075-T6 Aluminum
217-2706	34	1.700	1.800	7075-T6 Aluminum
217-3214	36	1.800	1.900	7075-T6 Aluminum
217-5471	38	1.900	2.000	7075-T6 Aluminum
217-2708	40	2.000	2.100	7075-T6 Aluminum
217-3216	42	2.100	2.200	7075-T6 Aluminum
217-2710	44	2.200	2.300	7075-T6 Aluminum
217-5472	46	2.300	2.400	7075-T6 Aluminum
WCP-0188 Rev1	48	2.400	2.500	7075-T6 Aluminum
217-3572	50	2.500	2.600	7075-T6 Aluminum
217-5473	52	2.600	2.700	7075-T6 Aluminum
217-3573	54	2.700	2.800	7075-T6 Aluminum
217-5474	56	2.800	2.900	7075-T6 Aluminum
217-5475	58	2.900	3.000	7075-T6 Aluminum
217-3574	60	3.000	3.100	7075-T6 Aluminum
217-5476	62	3.100	3.200	7075-T6 Aluminum
217-3575	64	3.200	3.300	7075-T6 Aluminum
WCP-0171 Rev1	66	3.300	3.400	7075-T6 Aluminum
217-5477	68	3.400	3.500	7075-T6 Aluminum
WCP-0172 Rev1	70	3.500	3.600	7075-T6 Aluminum
217-3576	72	3.600	3.700	7075-T6 Aluminum
217-5478	74	3.700	3.800	7075-T6 Aluminum
217-5479	76	3.800	3.900	7075-T6 Aluminum
217-5480	78	3.900	4.000	7075-T6 Aluminum
217-5481	80	4.000	4.100	7075-T6 Aluminum
217-5482	82	4.100	4.200	7075-T6 Aluminum
217-3577	84	4.200	4.300	7075-T6 Aluminum

Note:
For gears with less than 30T,
this dimension is 0.475



Note:
For WCP-0112 Rev1,
This dimension is 0.65

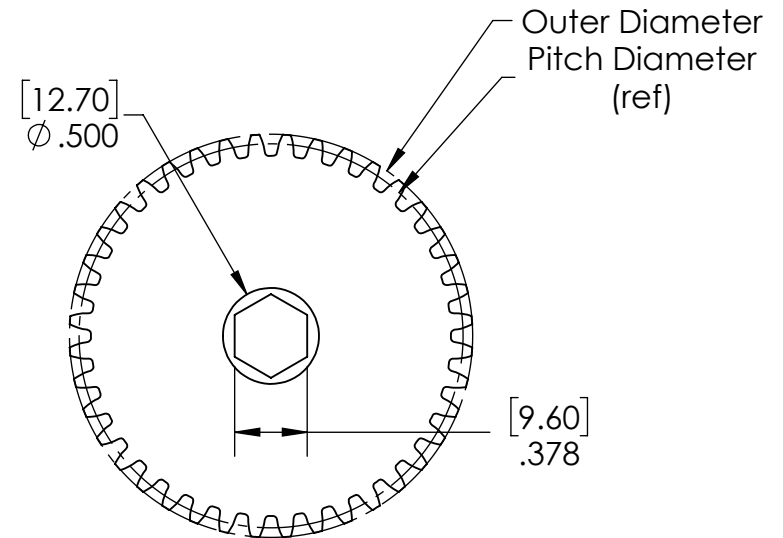
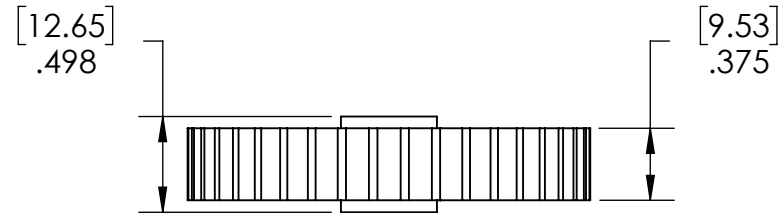


Description	WCP 20DP 1/2" Hex Aluminum Gears		
	Dwg No	20DP Aluminum Gears	
		Project	FIRST Robotics - FRC
	Release	12/27/2019	ALL DIMENSIONS ARE IN INCHES [MM].

WWW.WCPRODUCTS.COM

Part #	Tooth Count	Pitch Diameter (ref)	Outer Diameter	Material
217-2699	14	0.900	0.800	7075-T6 Aluminum
217-5450	16	0.800	0.900	7075-T6 Aluminum
217-3208	18	0.900	1.000	7075-T6 Aluminum
217-2701	20	1.000	1.100	7075-T6 Aluminum
217-5452	22	1.100	1.200	7075-T6 Aluminum
217-2703	24	1.200	1.300	7075-T6 Aluminum
217-5453	26	1.300	1.400	7075-T6 Aluminum
217-5454	28	1.400	1.500	7075-T6 Aluminum
217-3210	30	1.500	1.600	7075-T6 Aluminum
217-5455	32	1.600	1.700	7075-T6 Aluminum
217-3211	34	1.700	1.800	7075-T6 Aluminum
217-3213	36	1.800	1.900	7075-T6 Aluminum
217-5456	38	1.900	2.000	7075-T6 Aluminum
217-2707	40	2.000	2.100	7075-T6 Aluminum
217-3215	42	2.100	2.200	7075-T6 Aluminum
217-5457	44	2.200	2.300	7075-T6 Aluminum
217-5458	46	2.300	2.400	7075-T6 Aluminum
WCP-0114 Rev1	48	2.400	2.500	7075-T6 Aluminum
217-3571	50	2.500	2.600	7075-T6 Aluminum
217-5459	52	2.600	2.700	7075-T6 Aluminum

Note:
For gears with less than 30T,
this dimension is 0.475



Description		WCP 20DP 3/8" Hex Aluminum Gears	
Dwg No		20DP Aluminum Gears	
Project		FIRST Robotics - FRC	Sheet 1 of 1
Release		12/27/2019	ALL DIMENSIONS ARE IN INCHES [MM].

WWW.WCPRODUCTS.COM