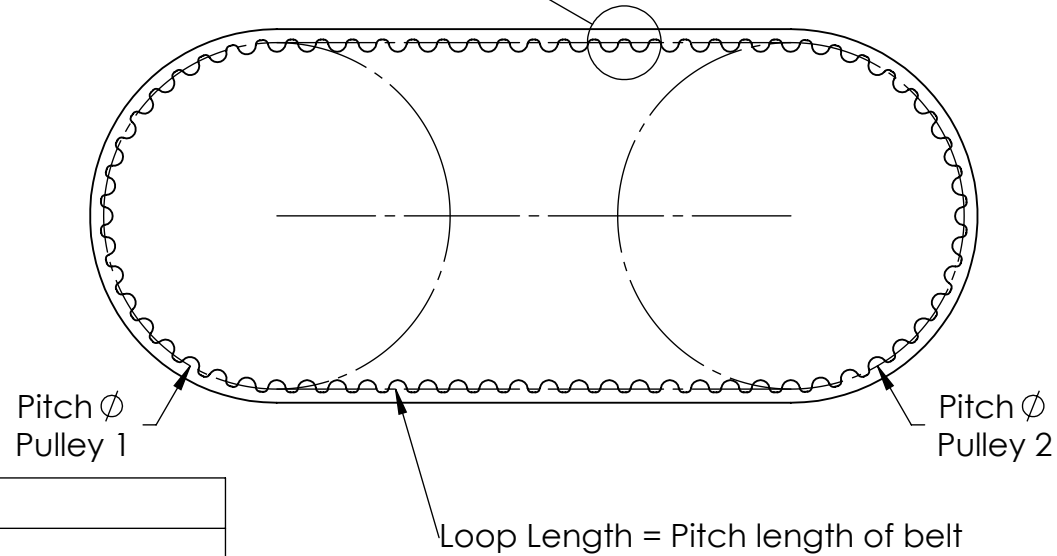
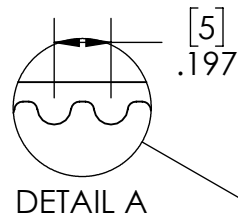
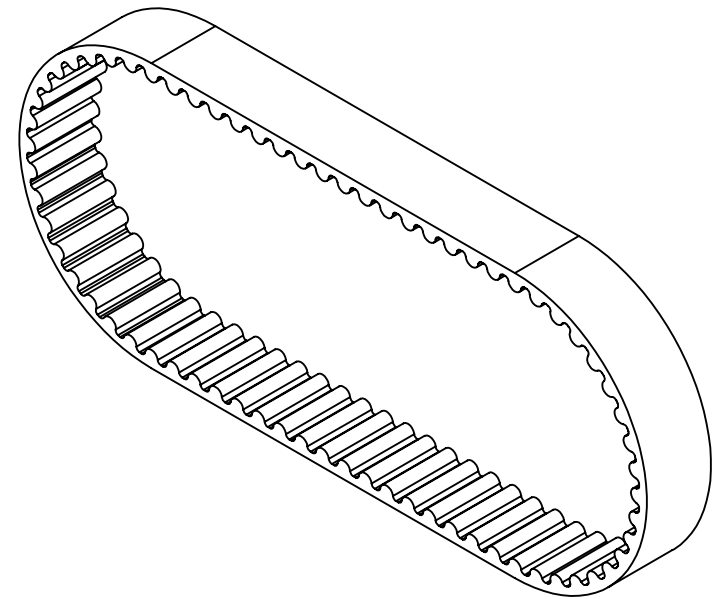


Part #	# of Teeth	Pitch Length (mm)
WCP-0161 Rev1	30	150
WCP-0163 Rev1	45	225
WCP-0165 Rev1	55	275
217-3294	60	300
217-3472	70	350
217-3473	80	400
217-3474	90	450
217-3475	100	500
217-3476	104	520
217-3477	110	550
217-3478	120	600
217-3479	130	650
217-3480	140	700
217-3481	150	750
217-3482	160	800
217-3483	170	850
217-3484	180	900
217-3485	200	1000
217-3486	225	1125
217-3487	250	1250



Description	WCP 15mm Width HTD Belt	
Dwg No	15mm Width HTD Belt	
Project	FIRST Robotics - FRC	Sheet 1 of 1
Release	12/21/2019	<b>ALL DIMENSIONS ARE IN INCHES [MM].</b>

WWW.WCPRODUCTS.COM